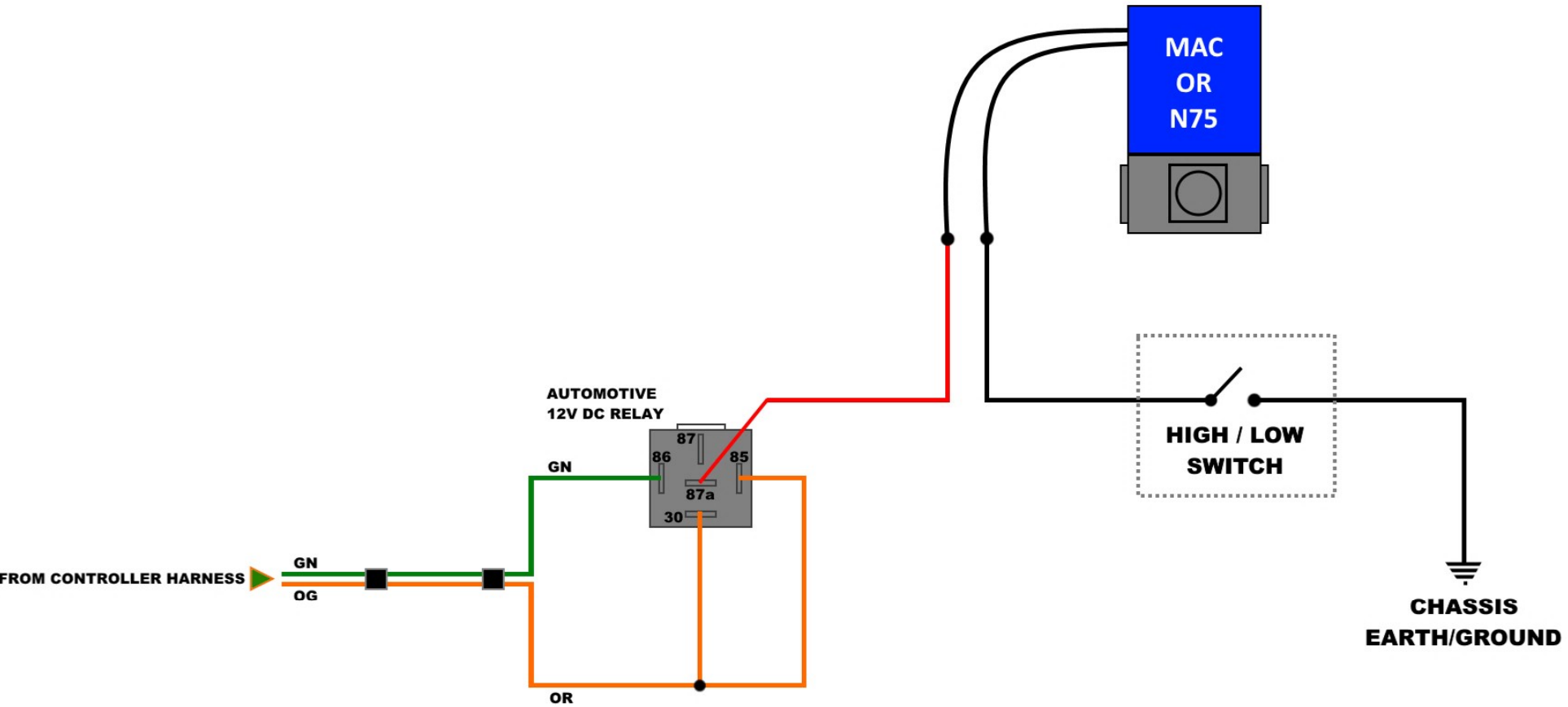


**BOOST CONTROL SOLENOID**



**COLOUR ABBREVIATIONS**

BK - BLACK	OG - ORANGE
RD - RED	BU - BLUE
BN - BROWN	WH - WHITE
YL - YELLOW	GN - GREEN
GY - GREY	

**PLEASE NOTE**  
IN ORDER TO SWITCH BETWEEN THE BOOST SAFE (DEFAULT) AND STATUS OUTPUT OPTIONS ABOVE, THE CONTROLLER WILL REQUIRE TO BE CONFIGURED IN THE MENU (PLEASE SEE THE CONTROLLER MANUAL)